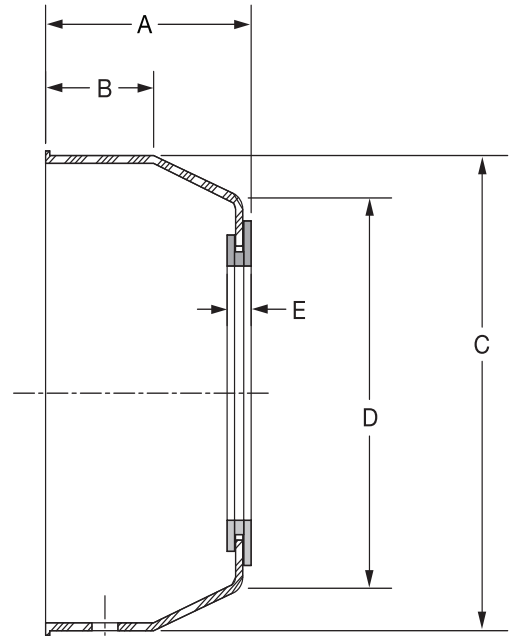
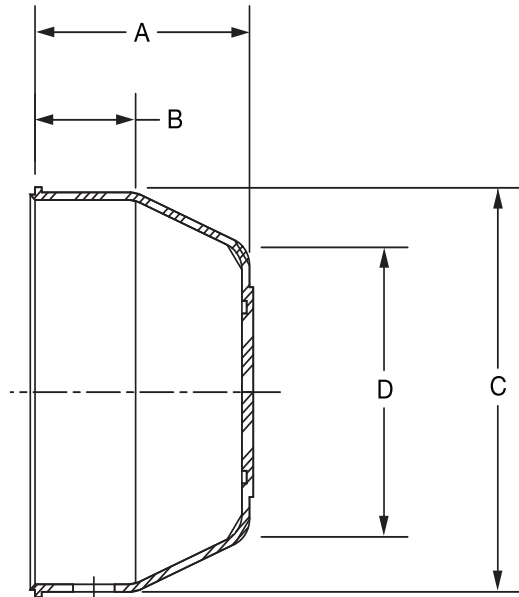


ACCESSORIES

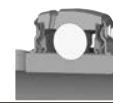
Extreme Duty Ball Bearing END CLOSURES



Series	Closed End Closure	
	Part Number	Description
204	128280	EC-204-Y
205	128281	EC-205-Y
206	128282	EC-206-Y
207	128283	EC-207-Y
208	128284	EC-208-Y
209	128285	EC-209-Y
210	128286	EC-210-Y
211	128277	EC-211-Y
212	128278	EC-212-Y

Open End Closure		
Shaft Size	Part Number	Description
3/4	128350	ECO-012-Y
20mm	128363	ECO-20M-Y
1	128351	ECO-100-Y
25mm	128364	ECO-25M-Y
1-3/16	128352	ECO-103-Y
1-1/4	128353	ECO-104S-Y
30mm	128365	ECO-30M-Y
1-1/4	128355	ECO-104-Y
1-7/16	128354	ECO-107-Y
35mm	128366	ECO-35M-Y
1-1/2	128356	ECO-108-Y
40mm	128367	ECO-40M-Y
1-11/16	128357	ECO-111-Y
45mm	128368	ECO-45M-Y
1-15/16	128358	ECO-115-Y
50mm	128369	ECO-50M-Y

FEATURES/BENEFITS PAGE B3-2	EASY SELECTION PAGE B3-3	SELECTION PAGE B3-5	SELECTION/DIMENSIONS PAGE B3-8
--------------------------------	-----------------------------	------------------------	-----------------------------------



ACCESSORIES

Extreme Duty

Open Cover Extreme Duty Dimensions

Series	Shaft Size	A	B	C	D	E
204	.75	1.19	0.53	1.91	1.38	0.19
	20mm	30.2	13.5	48.4	35.1	4.9
205	1	1.25	0.53	2.17	1.61	0.19
	25mm	31.8	13.5	55.1	40.9	4.9
206	1-3/16	1.39	0.56	2.50	0.97	0.19
	1.25					
207	30mm	35.3	14.2	63.5	50.0	4.9
	1.25	1.53	0.69	2.91	2.31	0.19
208	1-7/16					
	35mm	38.9	17.5	73.9	58.9	4.9
209	1.50	1.59	0.69	3.31	2.77	0.20
	40mm	40.6	17.5	84.1	70.1	5.1
210	1-11/16	1.66	0.72	3.50	2.88	0.20
	45mm	41.9	18.3	88.9	72.9	5.1
211	1-15/16	1.72	0.91	3.63	3.00	0.20
	50mm	43.7	23.1	91.4	76.2	5.1

Closed Cover Extreme Duty Dimensions

Series	A	B	C	D
204	1.13	0.53	1.91	1.38
	28.7	13.5	48.4	35.1
205	0.19	0.53	2.17	1.61
	30.2	13.5	55.1	40.9
206	1.33	0.56	2.50	0.97
	33.8	14.2	63.5	50.0
207	1.47	0.69	2.91	2.31
	37.3	17.5	73.9	58.9
208	1.55	0.69	3.31	2.77
	39.1	17.5	84.1	70.1
209	1.59	0.72	3.50	2.88
	40.4	18.3	88.9	72.9
210	1.66	0.91	3.62	3
	42.2	23.1	91.4	76.2
211	1.80	0.97	3.94	3.30
	45.5	24.6	100.1	83.6
212	1.91	1.00	4.38	3.66
	48.3	25.4	111.3	92.7

FEATURES/BENEFITS
PAGE B3-2

EASY SELECTION
PAGE B3-3

SELECTION
PAGE B3-5

SELECTION/DIMENSIONS
PAGE B3-8